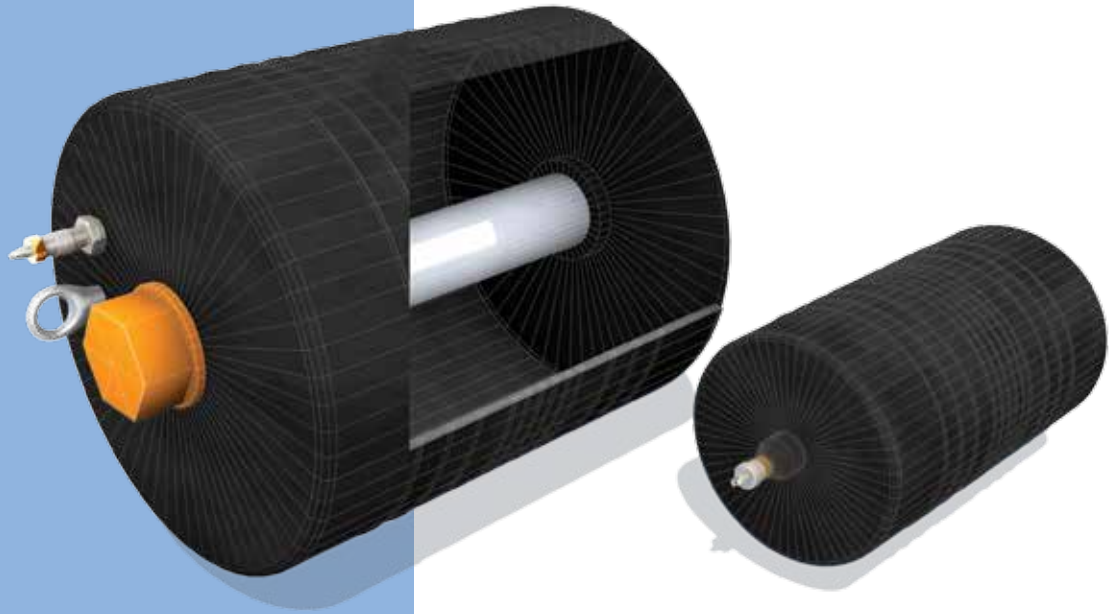
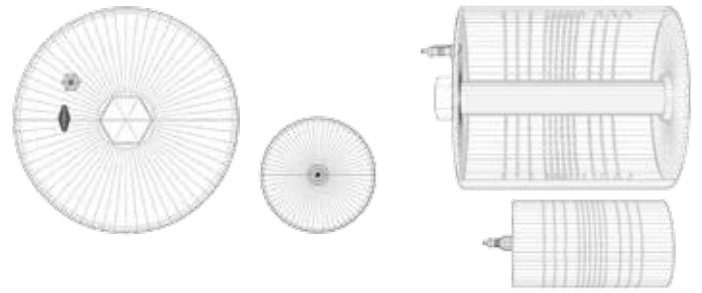


PLUGS OF SMALLER DIAMETERS PLUGY AND PLUGSY

1.1



Savatech plugs of smaller diameters PLUGY and PLUGSY can be used in all types of pipelines. Since these plugs are not reinforced with cord, they exhibit excellent stretching and sealing characteristics in pipe diameters from 20 mm up to 305 mm.

Savatech plug and plugsy up to size 200 mm are equipped with a tyre inflation valve which is vulcanized into the plug. Plugs of other sizes are equipped with an inflation valve, which is easily replaced with a quick action coupling, if required. Eye bolts/chain enable lifting and lowering of plugs, when a poly-lift line is used.



ALSO AVAILABLE IN
OIL RESISTANT
QUALITY



AVAILABLE
IN USAGE RANGE
FROM 20 mm
UP TO 305 mm



EXTRA SHORT FOR
EASIER INSERTION



78904
Plug inflation hose
fi 6 mm, 2 m,
0.2 kg, 0.4 lbs



78905
Plug inflation hose
fi 6 mm, 5 m,
0.5 kg, 1.1 lbs



60010
Hand pump
0 - 6 bar



PLUGY - BLOCKING PLUG

Part number	Type plugy EU	Size usage range		Required inflation pressure (bar)	Deflated plug		Product weight (kg)	Eye bolt	Inflation valve
		Min. dia. (mm)	Max. dia. (mm)		M thread	Thread size			
508123	Z1	20	33	2.5	19	65	0.01	NA	R 1/8"
60022	Z1 1/2	33	40	2.5	32	70	0.09	NA	R 1/4"
78582	Z2	50		2.5	45	72	0.11	NA	R 1/4"
78603	Z2-3	50	75	2.5	45	80	0.12	NA	R 1/4"
76767	Z3	75		2.5	70	85	0.23	NA	R 1/4"
78604	Z3-4	75	100	2.5	70	100	0.25	NA	R 1/4"
76769	Z4	100		2.5	85	145	0.43	NA	R 1/4"
78605	Z4-6	100	150	2.5	85	165	0.47	NA	R 1/4"
76771	Z6	150		2.5	142	190	1.23	NA	R 1/4"
78606	Z6-8	150	200	2.5	142	220	1.32	NA	R 1/4"
60616	Z8	175	204	2.5	174	220	2.1	6	R 1/4"
60618	Z10	219	254	2.5	218	250	3.4	6	R 1/4"
60619	Z12	275	305	2.5	274	290	5.1	6	R 1/4"

PLUGSY - BYPASS PLUG

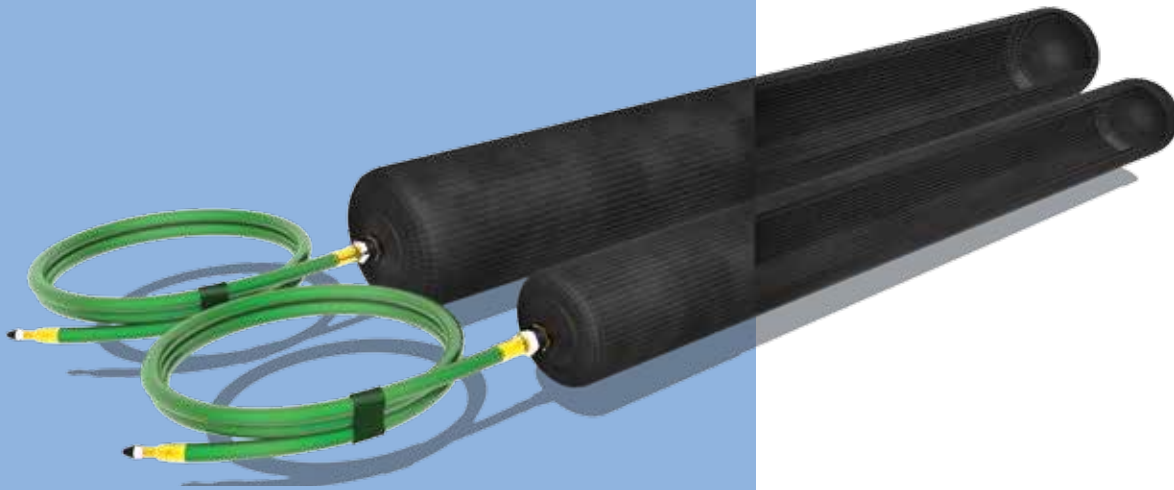
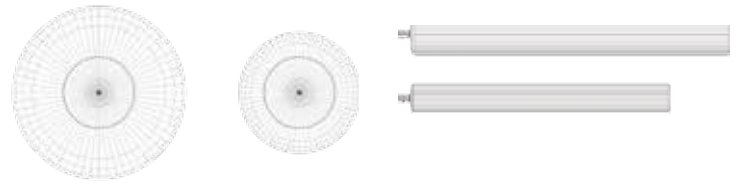
Part number	Type plugy EU	Size usage range		Required inflation pressure (bar)	Deflated plug		Product weight (kg)	Eye bolt	Inflation valve	Bypass diameter (female)
		Min. dia. (mm)	Max. dia. (mm)		M thread	Thread size				
78607	S2	50		2.5	45	80	0.2	NA	R 1/8"	1/8"
76768	S3	75		2.5	70	85	0.34	6	R 1/8"	1/2"
78614	S3-4	75	100	2.5	70	100	0.43	6	R 1/8"	1/2"
76770	S4	100		2.5	85	145	0.6	6	R 1/8"	1/2"
78609	S4-6	100	150	2.5	85	165	0.73	6	R 1/8"	1/2"
76772	S6	150		2.5	142	190	2.13	6	R 1/8"	1"
78610	S6-8	150	200	2.5	142	220	2.38	6	R 1/8"	1"
60621	S8	175	204	2.5	174	240	3.3	6	R 1/4"	2"
60622	S10	219	254	2.5	218	300	4.7	6	R 1/4"	2"
60623	S12	275	305	2.5	274	350	7.4	6	R 1/4"	2"

BACK PRESSURE - PLUGY & PLUGSY (bar), measured in dry iron pipe

Plug size	Pipe diameter (mm)								
	25	40	50	75	100	150	200	250	300
1"	2.2								
1 1/2"		2.2							
2"			1.8						
2" - 3"			2	1.5					
3"				1.5					
3" - 4"				1.8	1.2				
4"					1.9				
4" - 6"					1.9	1.6			
6"						2.2			
6" - 8"						2.2	1.4		
8"							1.3		
10"								1.5	
12"									1.8

MULTI-SIZE LONG PLUGS PLUGY DC

1.2

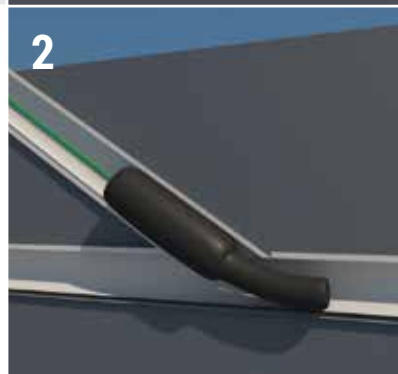
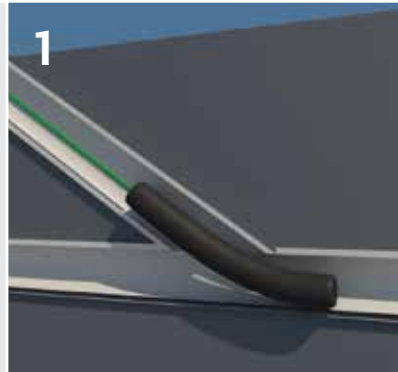


6

Savatech multi-size long plugs PLUGY DC construction enables easy insertion at angle through connections into a main pipe. Efficient sealing of both connection and a main pipe is guaranteed. Plugs are used for testing tightness of pipes with air or water. Savatech long plugs DC are equipped with a 100 cm long supply hose, a chain and a pear-shaped handle.

HANDLING

- 1 Insert the plug in the middle of a connection.
- 2 In the first phase the upper plug part is inflated to prevent liquid spills.
- 3 In the second phase the remaining part of the plug is inflated to completely stop the flow.



BLOCKING PLUG - PLUGY DC

Part number	Nominal size EU	Size usage range		Required inflation pressure (bar)	Deflated plug		Product length (mm)	Product weight (kg)	Eye Bolt	
		Min. dia. (mm)	Max. dia. (mm)		Diameter (mm)	Body length (mm)			M thread	Inflation valve Thread size
60073	50-75	50	75	2.5	40	490	550	0.7	NA	TR 15
60074	75-100	75	100	2.5	60	550	610	1.2	NA	TR 15
60075	100-150	100	150	2.5	80	750	810	1.8	NA	TR 15
60076	150	150	150	2.5	100	730	790	2.6	NA	TR 15

BACK PRESSURE (bar) - PLUGY, measured in dry iron pipe

Plug type	Pipe diameter (mm)			
	50	75	100	150
Plug				
50-75	2.2	2		
75-100		2.1	1.9	
100-150			2	1.8
150				1.9